

ViewJetCmore

Features

Programmable Touch Panel

- Full line-up of TFT models from 5.7-inch to 15.0-inch
The 5.7-inch type has a STN black-and-white model.
- Screen transfer: Ethernet / USB
- PLC connection: Ethernet / Serial
- Screen storage media: Built-in memory / Expansion CF
- Sound output: Equipped as a standard
(Excluding the EA7-S6M-RS, EA7-S6M-RS)
- Protection level: IP65



[Common to all model number]
- Touch panel
- Analog resistive type
- CE marking compliant



Features

Various Files Can be Used.

Since various files such as image files (bmp) and audio files (wav) can be used, you can create more realistic screens.

Abundant Components

Various components can be graphically expressed.

Easy Downloads / Uploads

With no wasteful settings, you can immediately upload/download data by selecting a button. Owing to the USB and Ethernet connections, a long transfer time is not required.

Large-size Screen Display

The 15-inch screen can display large characters that are easily visible.

Simulation on Computer

Screen operation can be checked from a computer without the actual equipment. It is not necessary to prepare and connect the actual equipment to perform the simulation on the computer.

Password Setting

All patterns of password settings can be performed on one screen. Since the password can be set on eight levels, it is easy to create screens such as one that can be operated only by the administrator.

Multilingual Utilization

A combination of up to nine languages or fonts can be registered.*¹ The characters displayed on the screen can be switched according to patterns. Since characters are only changed on the same screen, the number of screens can be minimized.

Supported languages: Japanese, Chinese, Taiwanese, English, Korean, Spanish and Thai

*¹ When one language will be additionally used, the CF card needs to be added. (Example: Japanese and Chinese)

Use of Memory Cards

The data can be exchanged using a memory card. Since no computer is needed for the operation, the operator can work under reduced burden.

Use of CSV Files

Since the data managed by ViewJetCmore (tag, message, alarm, and language) can be stored and edited in CSV format, you can edit the data in a familiar environment.

View of the Display Screen

The screen data installed in the display can be viewed on computers and PDAs from a remote place. Other than the screen currently displayed, the backside screen can also be viewed.

Setting Up Connected Devices

The connections of ViewJetCmore or PLCs can be visually checked and set. The connected devices can be easily set without wondering what to do.

Software Outline

① 3 Step Bar

You can select what to do now from the start of a project to the mounting to displays by pressing the Step1 Start, Step2 Simulation, and Step3 Send buttons.

② Navigation Window

This window shows details of the screen, important menus of the ViewJetCmore software, etc.

③ Configuration Window

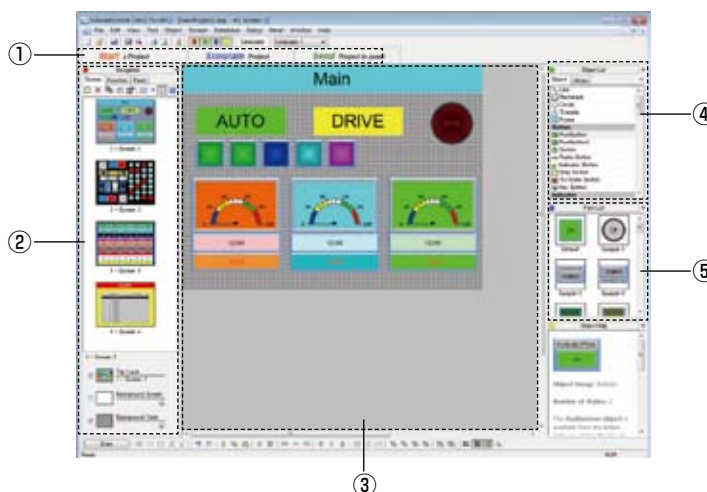
The components can be selected by pushing one button and can even be overlap. Enjoy the free space.

④ List Window

You can select from various components at a glance. By dragging components to the drawing window, you can create screens as you wish.



⑤ Parts List Window

This window shows parts design that corresponds to the list of objects.



ViewJetCmore

Specifications

PLC HMI SENSOR ENCODER COUNTER INFORMATION 

HMI Lineup

Panel Computer

Programmable
Touch Panel

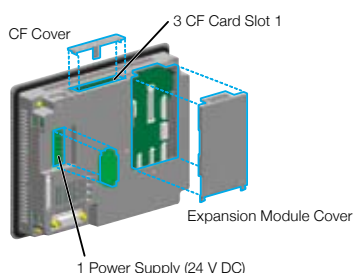
HMI Software

ViewJetCmore

GC7

Each Part Names and Descriptions

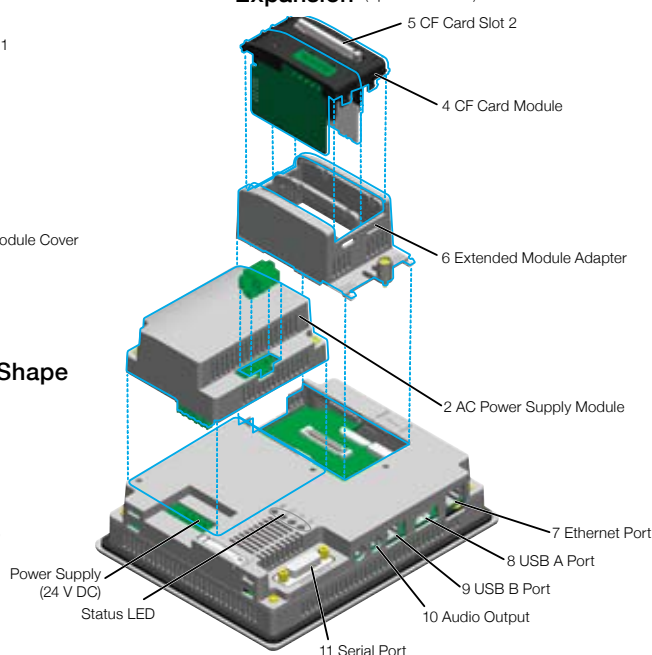
Standard Shape



Maximum Expansion Shape



Expansion (Option is installed)



- | | | |
|----|-------------------------|---|
| 1 | Power supply (24 V DC) | The slim body drives the display. |
| 2 | AC power supply module | Can drive the display around the world according to the environment. |
| 3 | CF card slot 1 | Used for uploading/downloading screen data and saving measured data. |
| 4 | CF card module | For saving larger-capacity data. (Option) |
| 5 | CF card slot 2 | Used for saving measured data. |
| 6 | Extended module adapter | Expansion-adapter for 4CF card modules. |
| 7 | Ethernet port | Enables screen data uploads/downloads, uploading of measured data, and connections with PLCs at high speed. |
| 8 | USB A port | Measured data can be saved in a USB memory that is convenient to carry around. |
| 9 | USB B port | Screen data can be uploaded/downloaded. The data can be exchanged comfortably at high speed. |
| 10 | Audio output | Notified not only by displayed alarms but also by sound. |
| 11 | Serial port | Makes connection with the PLC possible. |

Example of the Utility

- | | | |
|---|----------------|--|
| 3 | CF card slot 1 | [Example of data that can be used in CF cards] Screen data, Logging data |
| 5 | CF card slot 2 | [Example of data that can be used in CF cards] Logging data |
| 9 | USB A port | [Example of data that can be used in USB memories] Logging data |

Option

| Name | Model Number | |
|---|--------------------|---------------|
| AC Power Supply Module | EA-AC | |
| Extended Module Adapter | EA-EXP-OPT | |
| CF Card Module | EA-CF-IF | |
| D-sub Terminal Block Conversion Adaptor (For RS-422/485) | EA-COMCON-3 | |
| D-sub Angle Conversion Adaptor | EA-ADPTR-4 | |
| Surface Protection Sheet (Nonglare) | For 5.7-inch Type | EA-6-COV2 |
| | For 8.4-inch Type | EA-8-COV2 |
| | For 10.4-inch Type | EA-10-COV2 |
| | For 12.1-inch Type | EA-12-COV2 |
| | For 15.0-inch Type | EA-15-COV2 |
| Anti-oil Cover | For 5.7-inch Type | EA-6-COV3-S |
| | For 8.4-inch Type | EA-8-COV3-S |
| | For 10.4-inch Type | EA-10-COV3-SG |
| | For 12.1-inch Type | EA-12-COV3-S |
| | For 15.0-inch Type | EA-15-COV3-S |
| Compact Flash | EA-CF-CARD | |

Maintenance Product

(Provided with the Main Body When Purchased)

| Name | Model Number | |
|---|--------------------|--------------|
| Packing | For 5.7-inch Type | EA-6-GSK-S |
| | For 8.4-inch Type | EA-8-GSK-S |
| | For 10.4-inch Type | EA-10-GSK-SG |
| | For 12.1-inch Type | EA-12-GSK |
| | For 15.0-inch Type | EA-15-GSK-S |
| Battery | D2-BAT-1 | |
| Plug for Main Body Power Supply | EA-DC-CON | |
| Plug for AC Power Supply | EA-AC-CON | |
| Mounting brackets for 5.7-inch (2 units) | EA-BRK-1 | |
| Mounting brackets for 8.4-inch, 12.1-inch, and 15.0-inch type (8 units) | EA-BRK-2 | |

ViewJetCmore

Specifications

Main Body Specifications

| Model Number | EA7-S6M-RS | EA7-T6CL-RS | EA7-S6M-S | EA7-T6CL-S | EA7-T8C-S | |
|--|--|--|---|--|---|----------------------------|
| Display | Device Size | 5.7-inch | | | | 8.4-inch |
| | Display Device | STN monochrome LCD | TFT color LCD | STN monochrome LCD | TFT color LCD | |
| | Display Color/Gradation | 15 gray gradations | 65,536 color | 15 gray gradations | 65,536 color | |
| | Number of Dots | 320 x 240 (QVGA) | | | | 640 x 480 (VGA) |
| | Brightness Control | Set from the configuration screen of the main body display. (Setting components can be arranged from the drawing software.) | | | | |
| | Backlight | Cold-cathode tube (Average life: Continuous lighting for 100,000 hours or longer)* ¹ | | | | |
| | Replacement of Backlight | Impossible | | | | Possible |
| | Automatic Turn-off Function | Set from the configuration screen of the main body display. (Can be set from the drawing software.) | | | | |
| | Touch Panel | Analog resistive type, resolution: 1,024 W x 1,024 H | | | | |
| Interfaces | For PLC Connection | Serial | Start-stop synchronization, RS-232C, RS-422/485 (2/4-wire system), D-sub 15-pin (Female) x 1* ² Data length: 7/8 bit, parity: None/Odd/Even, stop bit: 1/2 bit Transmission speed (bps): 2,400/4,800/9,600/19,200/38,400 | | | |
| | | Ethernet | No | Ethernet 10BASE-T/100BASE-TX (RJ-45, Category 5) x 1* ³ | | |
| | Screen Data Transfer | USB | USB (B) 1.1 x 1 | | | |
| | | Ethernet | No | Ethernet 10BASE-T/100BASE-TX (RJ-45, Category 5) x 1* ³ | | |
| | For Printer Connection | No | | | | |
| | CF Card Slot 1 | No | Compact Flash (Limited to 3.3 V) TYPE I/II x 1 | | | |
| | CF Card Slot 2 | No | Compact Flash (Limited to 3.3 V) TYPE I/II x 1 (Option) | | | |
| | Ethernet | No | Ethernet 10BASE-T/100BASE-TX (RJ-45, Category 5) x 1* ³ | | | |
| | USB | USB (A) 1.1 x 1* ⁴ | | | | |
| | Line Output | No | Stereo output: Pin-jack x 1 | | | |
| | General Specifications | Supply Voltage | 24 V DC (100/200 V AC power supply module is available as an option: EA-AC) | | | |
| Allowable Power Range | | 20.4 to 28.8 V DC, allowable ripple, within 100 mVp-p, allowable instantaneous power failure time, within 5 ms | | | | |
| Allowable Instantaneous Power Failure Time | | Within 5 ms | | | | |
| Power Consumption | | 9 W or lower | 10 W or lower | 10 W or lower | 13 W or lower | 15 W or lower |
| Use Ambient Temperature | | 0 to 50°C* ⁵ | | | | |
| Storage Ambient Temperature | | -20 to 60°C | | | | |
| Use / Storage Ambient Humidity | | 10 to 85% RH (No condensation) | | | | |
| Noise Resistance | | 1000 V AC p-p, pulse width 1 μs, rise time 1 ns, between DC power supply input terminal and FG terminal (Cased on noise simulator) | | | | |
| Withstand Voltage | | 1000 V AC, 1 min, between DC power supply input terminal and FG terminal | | | | |
| Insulation Resistance | | 20 MΩ or higher (500 V DC), between DC power supply input terminal and FG terminal | | | | |
| Vibration Resistance | | Comply with IEC61131-2, 10 to 57 Hz: 0.075 mm, 57 to 150 Hz: 9.8 m/s ² (10 times each for the X, Y, and Z direction) | | | | |
| Impact Resistance | | Maximum 147 m/s ² , 11 ms (2 times each for the X, Y, and Z direction) | | | | |
| Electrostatic Discharge Resistance | | Compliant with IEC61000-4-2, contact: 4 kV, air: 8 kV | | | | |
| Surrounding Atmosphere in Place of Use | | No corrosive gases | | | | |
| Grounding | | D-class grounding | | | | |
| Protective Structure | | Equivalent to IP65 (Surface part) | | | | |
| Dimensions (mm) | | 191.0 W x 152.0 H x 43.1 D | | | | 258.5 W x 203.4 H x 52.1 D |
| Weight (g) | | 630 | 600 | 650 | 650 | 1,090 |
| Panel Cutout Dimensions (mm)* ⁷ | | 179.0 W x 140.0 H | | | | 235.0 W x 179.7 H |
| Cooling System | | Natural air-cooling | | | | |
| Compliant Standards | UL508, EMC directive (CE marking; Self-declared), CE EN61131-2, EMI CISPR11 Class A, unnecessary radiation measurement, field intensity measurement, magnetic field strength measurement (EN55011) EMS susceptibility immunity measurement Class A EN61000-4-2 Electrostatic discharge immunity test, EN61000-4-3 Radiation magnetic field immunity test, EN61000-4-4 First transient burst immunity test, EN61000-4-5 Surge immunity test, EN61000-4-6 Conductivity immunity test | | | | | |
| Accessories | QSG (Quick Start Guide) manual Mounting brackets (2 units) Power plug | | | | QSG (Quick Start Guide) manual Mounting brackets (6 units) Power plug | |

Software Requirements

| | |
|---------------------|---|
| Personal Computer | Models for which Windows normally operates (PC/AT compatibles), Pentium II 333 MHz or higher are recommended. |
| OS | Japanese/English Microsoft Windows 2000 with Service Pack 4 (SP4) or Windows XP(Home Edition/Professional Edition), Windows Vista (32-bit version)/Windows 7 (32-bit version) |
| Resolution | XGA 1,024 x 768 or higher is recommended |
| HD disc free space | Free space of 300 MB or more (600 MB or more is recommended.) |
| Memory | Equipped with 128 MB (512 MB or more is recommended.) |
| Disc Drive | CD-ROM drive |
| Network Environment | TCP/IP protocol |

* The computer must have a USB (A) port or Ethernet port.

ViewJetCmore

Specifications

List of Connected Devices

| Device | Manufacturer | PLC Series | CPU Direct Connection | Serial Module | Ethernet Module |
|---------------------|---|--|-----------------------|---------------|-----------------|
| PLC | Koyo | DL05/06/205 (Ethernet requires an ECOM module.) | ○ | ○ | ○ |
| | | KOSTAC D4 series (Ethernet requires an ECOM module.) | ○ | ○ | ○ |
| | | PZ series, SJ series | ○ | — | — |
| | | KOSTAC D3 series | — | ○ | — |
| | Mitsubishi | FX series, Q series* ¹ CPU direct connection | ○ | — | — |
| | | FX series, A series, Q series, QnA series Computer link | — | ○ | — |
| | | A series, Q series, QnA series Ethernet interface unit | — | — | ○ |
| | Omron | C series HostLink | — | ○ | — |
| | | CS series, CJ series CPU unit built-in port | ○ | — | — |
| | | CS series Link unit | — | ○ | — |
| | | C series PC card unit | — | — | ○ |
| | | CS series Ethernet unit | — | — | ○ |
| | Panasonic | FP series | — | ○ | — |
| | | FP series ET-LAN unit | — | — | ○ |
| | Yokogawa | FA-M3 series Serial communication module, CPU port | — | ○ | — |
| | | FA-M3 series Ethernet | — | — | ○ |
| | Keyence | KZ series, KV series Link unit, CPU direct connection | ○ | ○ | — |
| | | KV series (KV-700/1000) CPU direct connection | ○ | — | — |
| | | KV series (KV-3000/5000) | ○ | ○ | ○ |
| | JTEKT | TOYOPUC PC2/PC3 series Serial | — | ○ | — |
| | | TOYOPUC PC2/PC3 series Ethernet | — | — | ○ |
| | | TOYOPUC PC10G series | ○ | — | — |
| | Sharp | JW-20 JW-30 JW-50/70/100 series Communication module | — | ○ | — |
| | | JW-20 JW-30 JW-50/70/100 series Ethernet module | — | — | ○ |
| | Toshiba | Prosec T, V series Serial | — | ○ | — |
| | | Prosec T, V series Ethernet | — | — | ○ |
| | Toshiba Machine | TCmini, TC200 | — | ○ | — |
| | Yaskawa | GL, MP, CP series Serial | — | ○ | — |
| | | GL, MP, CP series Ethernet | — | — | ○ |
| | AB | MicroLogix 1000/1200/1500, SLC 500, 5/01, /02, /03 (DH485) | — | ○ | — |
| | | MicroLogix 1000, 1200, 1500 (DF1) | — | ○ | — |
| | | SLC 5/03, /04, /05, PLC-5 (w/DF1) | — | ○ | — |
| Entivity (Think&Do) | H2-WinPLC (Modbus, Ethernet) | — | ○ | ○ | |
| GE | 90/30, 90/70 | — | ○ | — | |
| Modicon | 984 CPU, Quantum 113 CPU, AEG Modicon Micro Series | — | ○ | — | |
| | 110 CPU: 311-xx, 411-xx, 512-xx, 612-xx | — | ○ | — | |
| Siemens | S7-200PPI, S7-300MPI | — | ○ | ○ | |
| Modbus TCP/IP | Modbus TCP/IP devices | — | — | ○ | |
| Generic EtherNet/IP | EtherNet/IP (AB ENET IP) | — | — | ○ | |
| CNC | FANUC 18i-LNB series (CNC) | ○ | — | — | |
| Temperature Control | Azbil Corporation SDC36/26 (Temperature controller) | — | ○ | — | |
| | RKC INSTRUMENT INC. CB100 (Temperature controller) | — | ○ | — | |

For the details about supported PLCs, contact our customer support center.

*1 The Q00CPU, Q00JCPU, and Q01CPU are not supported.

Barcode Reader

Only barcode readers with a USB keyboard interface can be used. The following barcode reader was already tested by Koyo Electronics.

| Manufacturer | Model Number |
|-------------------|--------------|
| Symbol Technology | LS2208 |

ViewJetCmore

Dimensions

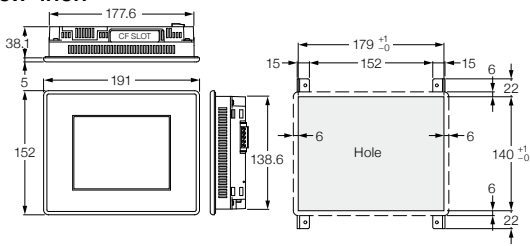
- PLC
- HMI**
- SENSOR
- ENCODER
- COUNTER
- INFORMATION

- HMI Lineup
- Panel Computer
- Programmable Touch Panel**
- HMI Software

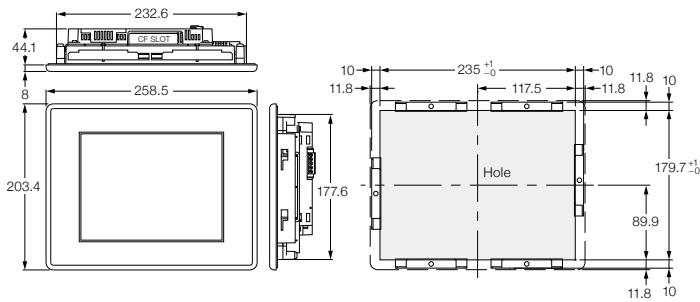
- ViewJetCmore
- GC7

Dimensions

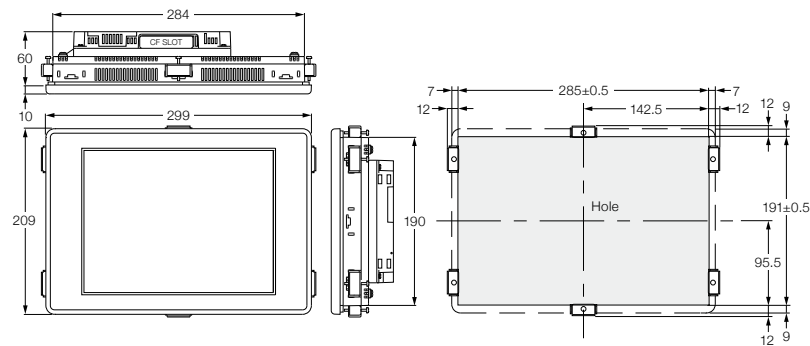
5.7-inch



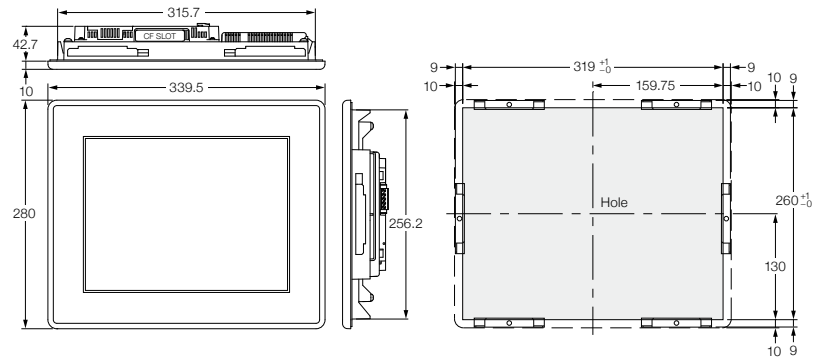
8.4-inch



10.4-inch



12.1-inch



15.0-inch

