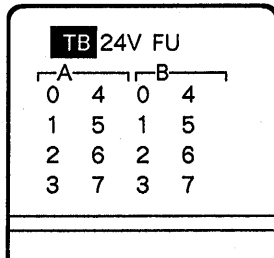


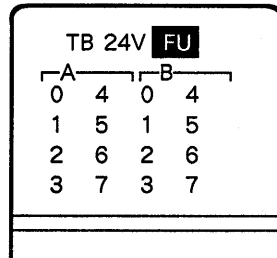
● Self-diagnostic display

This is used for detecting conditions such as disconnected I/O terminal block, blown fuse, and voltage dropping of external 24 V power supply.

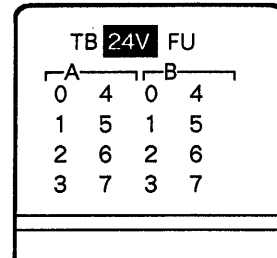
① Detection of disconnected terminal block (TB)



② Detection of blown fuse (FU)



③ Detection of voltage dropping of external 24 V power supply (24V)



10-2. Replacing a built-in battery

To prevent the program from being erased while the PLC is powered OFF, the CPU and memory cartridge (G-03M) are backed up by a lithium battery. It is expected that the battery is good for about three years under the normal condition. The battery should be replaced with a new one as soon as the life of battery expires.

1) CPU module

The battery should be replaced with a new one within a week when the BATT LED on the CPU module starts flickering in a cycle of 2 sec or is lit in continuation.

How to replace a battery / Battery model number : RB-5

① Turn off the power source.

Remove the front cover of CPU module (fig.1).

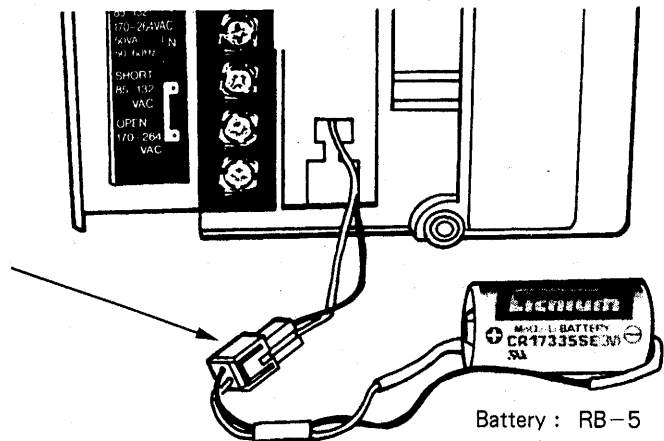
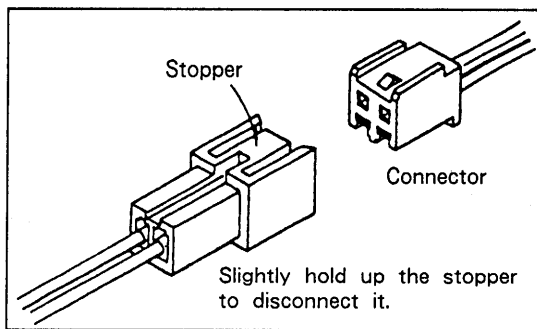
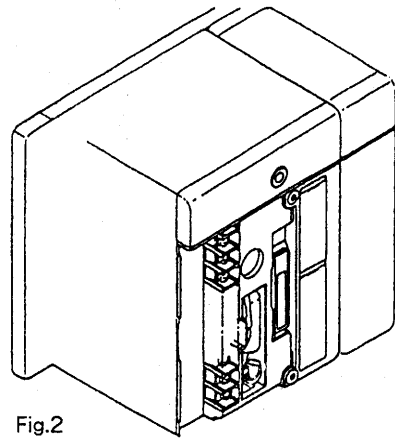
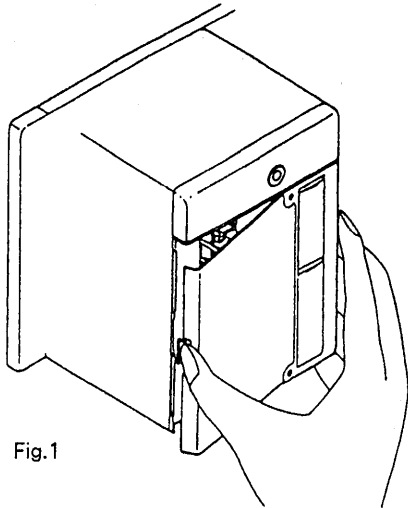
② Remove the battery from the holder (fig.2).

The battery is installed in the center of the module.

③ The battery is connected with the lead wires which are connected with the module through the connector (fig.3).

Finish your replacing within 10 minutes.

The memory contents are retained in a large size of capacitor while the battery is removed.



- ④ Disconnect the connector, then replace with a new battery.
- ⑤ Install the battery onto the holder of CPU module, and press the lead wires into the module.
- ⑥ Put back the CPU cover, and turn ON the power source.

Be sure that the BATT LED on the CPU is turned OFF.

2) Memory cartridge

The battery should be replaced with a new one within a week when the BATT LED on the SU-6 CPU module starts flickering in a cycle of 0.5 sec or is lit in continuation.

How to replace a battery/Battery model number : RB-7

- ① Copy the memory contents for backup.

Refer to the method of program saving (8-1) if the memory is not kept in another memory cartridge or copied to a cassette tape.

- ② Turn off the power source to remove the memory cartridge under the cover of CPU module (fig.1).

Memory contents will be erased when the battery of G-03M is removed.

Pull out the cover as written to do so. Then the memory cartridge can be removed from the CPU module.

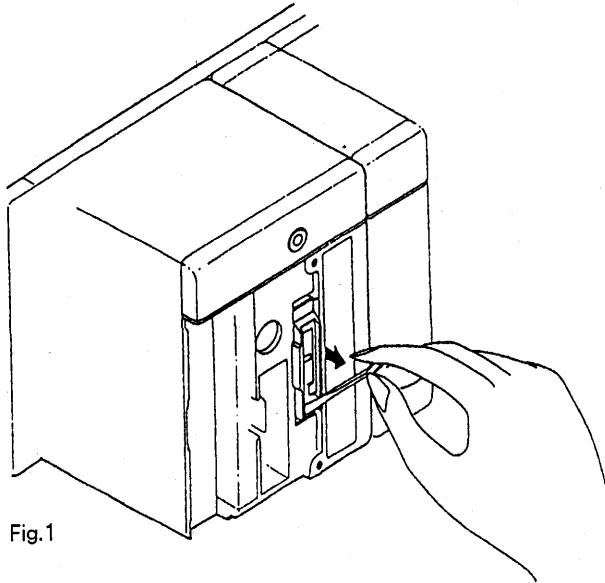


Fig.1

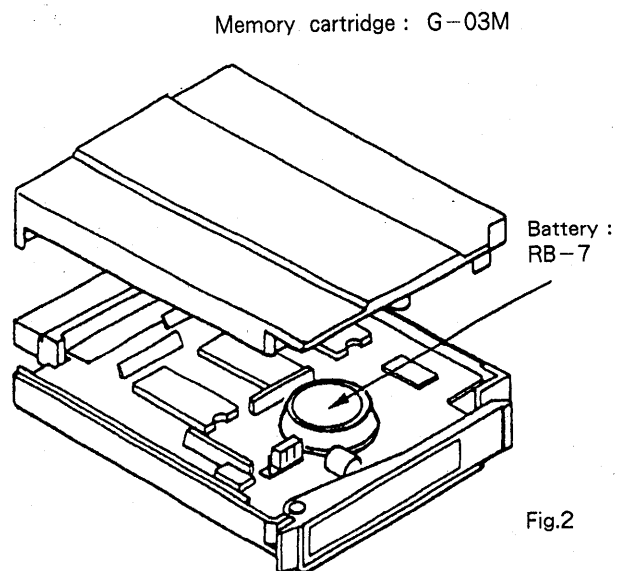


Fig.2

- ③ Remove the screw on the rear cover of memory cartridge.
Then remove the battery.
- ④ Insert a new battery and reassemble the memory cartridge.
- ⑤ Put back the memory cartridge into the CPU module after replacing the battery.
- ⑥ Be sure if the BATT LED is not lit anymore when the power source is turned ON.